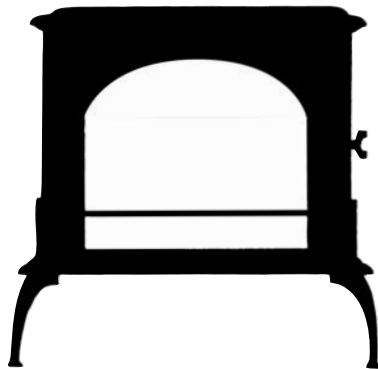
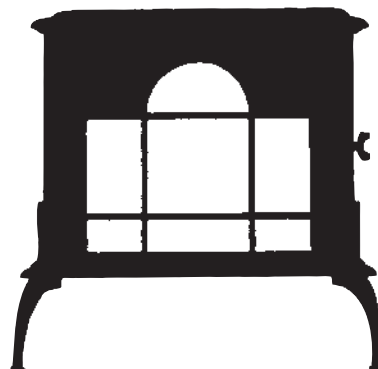


KEYSTONE MODEL 204 PALLADIAN MODEL 202

Model 204 Keystone



Model 202 Palladian



WOODSTOCK SOAPSTONE STOVES

OWNER'S MANUAL

Tested To UL 1482
Listed By OMNI-Test Laboratories, Inc
Report #122-S-04-2



Woodstock Soapstone Company, Inc.
66 Airpark Road, West Lebanon, NH 03784
Toll Free 1-800-866-4344 • www.woodstove.com

Rev 0713

OUR PROMISE

We are sure you will enjoy your new stove. During the first six months that you own it, test its performance and experience the comfortable warmth of soapstone. If you are not thoroughly delighted with the beauty, quality, and energy efficiency of your stove, you may return it for a full refund, including the cost of return freight. This is the best consumer protection plan in the industry.

EPA APPROVAL

This Manual describes the installation and operation of: the **Model 204 Keystone & 202 Palladian Catalytic Soapstone Stove.**

Model 204/202 Keystone/Palladian Catalytic Soapstone Stove meets the U.S. Environmental Protection Agency's emission limits for wood heaters sold after July 1, 1992. Under specific test conditions, this stove has been shown to deliver heat at rates ranging from 8,500 to 35,000 BTU/hr., and average emissions of 1.9 grams/hr.

The Keystone/Palladian model contains a catalytic combustor, which needs periodic inspection and replacement for proper operation. It is against the law to operate this woodstove in a manner inconsistent with the operating instructions in this manual, or if the catalytic element is deactivated or removed.

LISTING TO UL #1482

Model 204/202 Keystone/Palladian Catalytic Soapstone Stove has been tested to UL Standard #1482 for safety, and is listed by OMNI-Test Laboratories, Inc. UL Standard #1482 is the standard for testing solid fuel heating appliances which is universally recognized by all national building regulatory agencies (SBCC, BOCA, ICBO) and individual states.

Please Note: Tested and Listed for US installations only



Report #122-S-04-2

LIMITED WARRANTY

Your Woodstock Soapstone Stove will be carefully inspected before shipment. We will replace any part which is defective in material or workmanship, free of cost, for a period one year from the date of purchase. If a defect is discovered, please contact Woodstock Soapstone Company, Inc. for instructions regarding return or replacement of the defective part.

CATALYTIC COMBUSTOR WARRANTY

The catalytic combustor in your Keystone/Palladian Woodstove is fully warranted for three years from the date of purchase against any defect in workmanship or materials that prevent the combustor from functioning when installed and operated properly. The catalytic combustor is additionally warranted for three years from the date of purchase for any deterioration in the stainless steel substrate material. For instructions regarding return or replacement of the catalytic combustor, please contact:

Woodstock Soapstone Company, Inc.
66 Airpark Road
West Lebanon, NH 03768
Phone: 1-800-866-4344 • Web: www.woodstove.com

MODEL 204 KEYSTONE & MODEL 202 PALLADIAN CATALYTIC TABLE OF CONTENTS

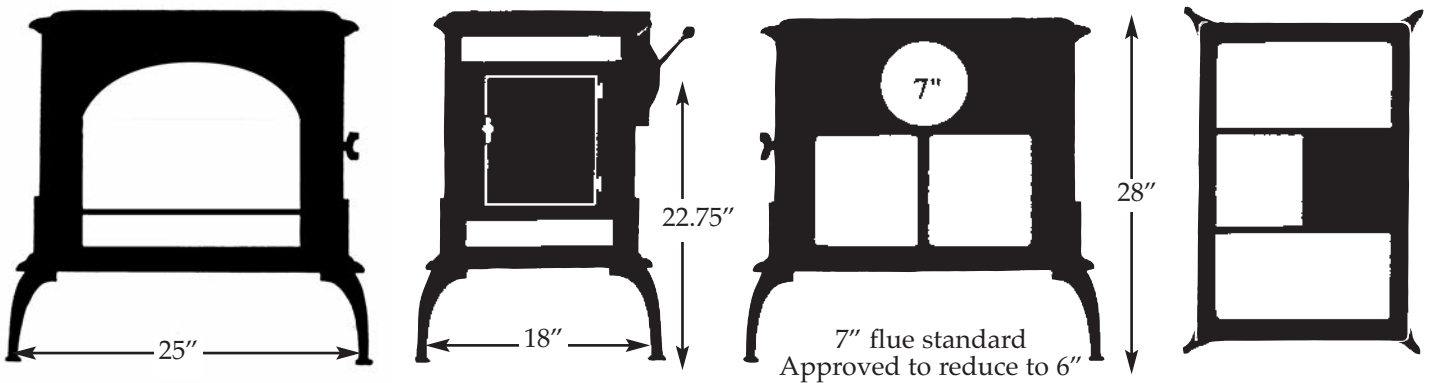
WARRANTY INFORMATION/CERTIFICATIONS.....	Inside Cover
EPA Certification, UL Listing, Warranty, Catalytic Combustor Warranty	
INSTALLATION.....	1-12
Installation, Location, Chimneys, Fireplace Installation, Clearance Table, Wall Protection, Floor Protection, Mobile Home Installation	
OPERATION.....	13-16
Setting up Your Stove, Seasoning Your Stove, Starting a Fire and Establishing Draft, Engaging the Catalytic Combustor, Reloading & Overnight Burning, Ash Removal, Surface Thermometer, Overfiring, Daily Use, The Fall Away Handle, Firewood	
CATALYTIC COMBUSTOR.....	17-21
How your Combustor Works, Inspection & Cleaning, Replacement, Catalytic Probe Thermometer, Frequently Asked Questions, Catalytic Combustor Warranty Information	
MAINTENANCE.....	22-24
Stove, Stone & Glass Cleaning, Gasket Replacement, Routine Checks, End Of Season Maintenance, Creosote	
TROUBLESHOOTING.....	25-27
SAFETY.....	28-29
Overview, Installation, Smoke & The Chimney, Heat, Ash Removal, Precautions, Emergency Procedures	
PARTS LIST & DIAGRAMS.....	30-33
SPECIFICATIONS.....	Back Cover

DIMENSIONS & SPECIFICATIONS

H x W x D 28" x 25" x 20"
 Flue Exit..... Top or Back
 Flue Size..... 7" or 6"
 Flue Height to Center (Back Vent)..... 22.75"
 Keystone Weight..... 440 lbs.
 Palladian Weight..... 430 lbs.
 Loading Door..... Right Side Only
 Loading Door Size (HxW)..... 9.5"x8.5"
 Wood Length (Maximum)..... 16"
 Size..... 1.5 Cubic ft.
 Burn Time..... 8-10 hrs.
 Heat Output Range..... 8,500-45,000 BTU/hr
 Area Heated..... 800-1,300 sq. ft.

EPA Certified..... Yes
 Listed to UL 1482..... Yes
 EPA Emissions Rating..... 1.9 grams/hr
 EPA Default Efficiency..... 72%
 Catalytic Combustor..... Standard
 Ash Pan..... Standard
 Back Clearance (no protection)..... 30"
 Back Clearance (w/Heat Shield Kit) ... 14.5" (top vent)
 Side Clearance..... 18"
 Mobile Home Approved..... Yes

KEYSTONE MODEL 204



PALLADIAN MODEL 202

